

SERIES 140 SAFETY VALVES

**SERIES
140**



**SERIES
143**



**SERIES
140**



The NEW Aquatrol Series 140 valve line is designed for air/gas safety. Compact in nature, yet rugged in all aspects of design and construction. The 140 series offers excellent fast acting reseating that minimizes loss of medium. High capacity flow rates.

SERIES 140

Brass body, stainless ball, brass bonnet, and brass internals.
ASME and National Board Temperatures -20°F (-29°C) to 406°F (208°C)
Certified for Section VIII air and inert gases.

SERIES 141

Stainless body, stainless ball, brass bonnet, and brass internals.
ASME and National Board Temperatures -20°F (-29°C) to 406°F (208°C)
Certified for Section VIII air and inert gases.

SERIES 143

Stainless body, stainless ball, stainless bonnet, and brass internals.
ASME and National Board Temperatures -20°F (-29°C) to 800°F (426°C)
Certified for Section VIII air and inert gases.

Usages:

- Compressors, Air and Gas receivers
- Gas lines, Steam lines
- Piping system/tanks
- Steam cleaners, Sterilizers, Autoclaves

Features:

- Precise / accurate set pressures
- Polished ball-seat in stainless steel
- Pressures to 450 psig
- Fast acting fixed blowdown
- High flow capacity

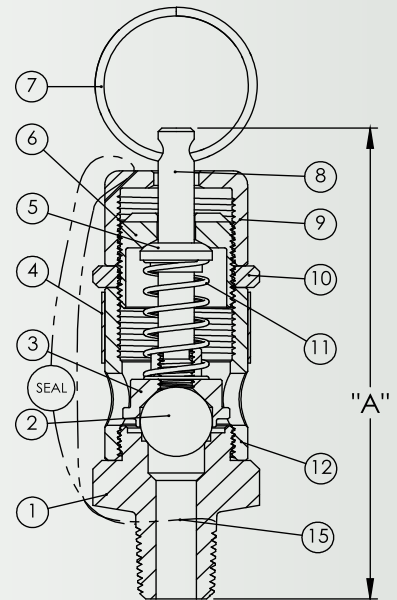
Options:

- BSPT or BSPP Inlet connection
- Female connection
- Stainless Steel Construction
- Pull Ring or Lift Lever
- O2 Cleaning
- NEW - Viton seating



SERIES 140 INFORMATION

SERIES 140 - 141 - 143				
ITEM	DESCRIPTION	MATERIALS		
		140	141	143
1	Body	B16 Brass	SA479-316 SS	SA479-316 SS
2	Ball	440 SS	440 SS	440 SS
3	Disk Holder	B16 Brass	B16 Brass	SA479-316 SS
4	Name Plate	Stainless	Stainless	Stainless
5	Spring Plate	B16 Brass	B16 Brass	SA479-316 SS
6	Pressure Screw	B16 Brass	B16 Brass	SA479-316 SS
7	Pull Ring	Plated Steel	Plated Steel	Stainless
8	Spring Post	B16 Brass	B16 Brass	SA479-316 SS
9	Hood	B16 Brass	B16 Brass	SA479-316 SS
10	Lock Nut	B16 Brass	B16 Brass	SA479-316 SS
11	Spring	302/17-7 SS	302/17-7 SS	302/17-7 SS
12	Bonnet	B16 Brass	B16 Brass	SA479-316 SS
13	Lift Lever	Plated Steel	Plated Steel	Plated Steel
14	Lever Pin	B16 Brass	B16 Brass	Plated Brass
15	Seal Wire	Steel / Lead	Steel / Lead	Stainless / Lead



SERIES 140 - 141 - 143						
ORIFICE	SLOPE	INLET	"A" DIMENSION			MAX SET PRESSURE
			PULL RING	LIFT LEVER	LBS.	
"A"	0.924	1/4"	3-3/8"	3-1/2"	0.50	450 psig
		3/8"	3-3/8"	3-1/2"	0.52	
		1/2"	3-3/8"	3-1/2"	0.54	
"B"	1.487	3/8"	3-3/4"	3-7/8"	0.52	
		1/2"	3-3/4"	3-7/8"	0.56	
		3/4"	3-3/4"	3-7/8"	0.63	

SERIES 140 - 141 - 143 CAPACITY AIR - SCFM									
SET psig	20	40	60	80	100	200	300	400	450
"A" ORIFICE SCFM	34	54	75	95	115	217	319	420	471
"B" ORIFICE SCFM	55	87	120	153	185	349	513	676	758

Set pressures not limited to this chart. Specify when ordering.
Capacities are at 3 psig or 10% (whichever is greater) over set pressure

SERIES	INLET SIZES	METALS	MIN. TEMP °F (°C)	MAX. TEMP ^{3,4} °F (°C)	MAX PRESSURE ^{1,2} psig (barg)	SERVICES	CERTIFICATIONS
140	1/4", 3/8", 1/2"	Brass	-20° (-29°)	406° (208°)	350 (24.1)	Air / Gas / Steam	ASME VIII Air/Gas
141	1/4", 3/8", 1/2"	Stainless-Brass	-20° (-29°)	406° (208°)	450 (31.0)	Air / Gas / Steam	ASME VIII Air/Gas
143	1/4", 3/8", 1/2"	Stainless	-20° (-29°)	800° (427°)	450 (31.0)	Air / Gas / Steam	ASME VII Air/Gas

SERIES 140 - 141 - 143 PART NUMBERS								
140		BC	1	M	7	N	1	125
SERIES	DESCRIPTION	ORIFICE X INLET	CONNECTION	SEATING	CAP	SERVICE	OPTIONS	SET
140	Brass	AA- 0.28 x 1/4"	1- NPT Male	M- Metal	1- Lift Lever	K- ASME VIII Air/gas	1- None	Ex.125
141	Stainless / Brass	AB- 0.28 x 3/8"	2- NPT Female	V- Viton	7- Pull Ring	N- Non-code Air/gas	3- O2 Cleaned	
143	Stainless	AC- 0.28 x 1/2"	3- BSPT Male			T- Non-code Steam	4- API Seating	
		BB- 0.39 x 3/8"	4- BSPT Female				5- O2 Cleaned / API Seating	
		BC- 0.39 x 1/2"	8- BSPP Male					
		BD- 0.39 x 3/4"	9- BSPP Female					