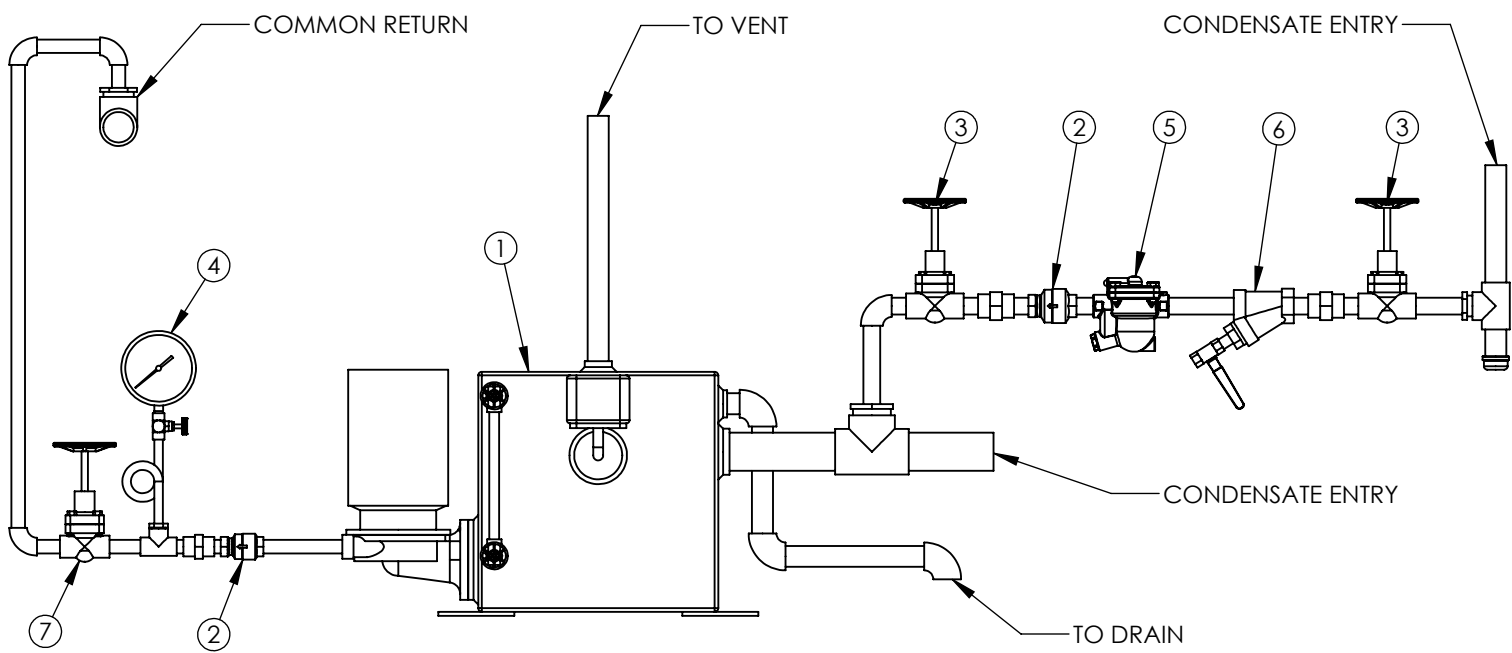


#	DESCRIPTION
1	WASH DOWN CONDENSATE TRANSFER UNIT
2	SS CHECK VALVE
3	SS GATE VALVE
4	MANOMETRE W SYPHON
5	SS STEAM TRAP
6	SS Y STRAINER W PURGE
7	SS GLOBE VALVE



ALL STAINLESS CONSTRUCTION
AFTER PUMP



PROPRIETARY AND CONFIDENTIAL THE INFORMATION CONTAINED IN THIS DRAWING IS THE SOLE PROPERTY OF VAPTEC INC. ANY REPRODUCTION IN PART OR AS A WHOLE WITHOUT THE WRITTEN PERMISSION OF VAPTEC INC IS STRICTLY PROHIBITED.	COMMENTS:	UNLESS OTHERWISE SPECIFIED: DIMENSIONS ARE IN INCHES TOLERANCES: FRACTIONAL ± ANGULAR: MACH ± BEND ± TWO PLACE DECIMAL ± THREE PLACE DECIMAL ±	CREATED	NAME Dominic Casar	DATE 2021-11-08	TITLE: VAD-08-WD Condensate Transfer Unit 12 Gallon Wash Down	REV
			LAST MOD.	Dominic Casar	2021-11-08		
			ENG APPR.				
			MFG APPR.				
			Q.A.				
SCALE: 1:12						SHEET 1 OF 1	