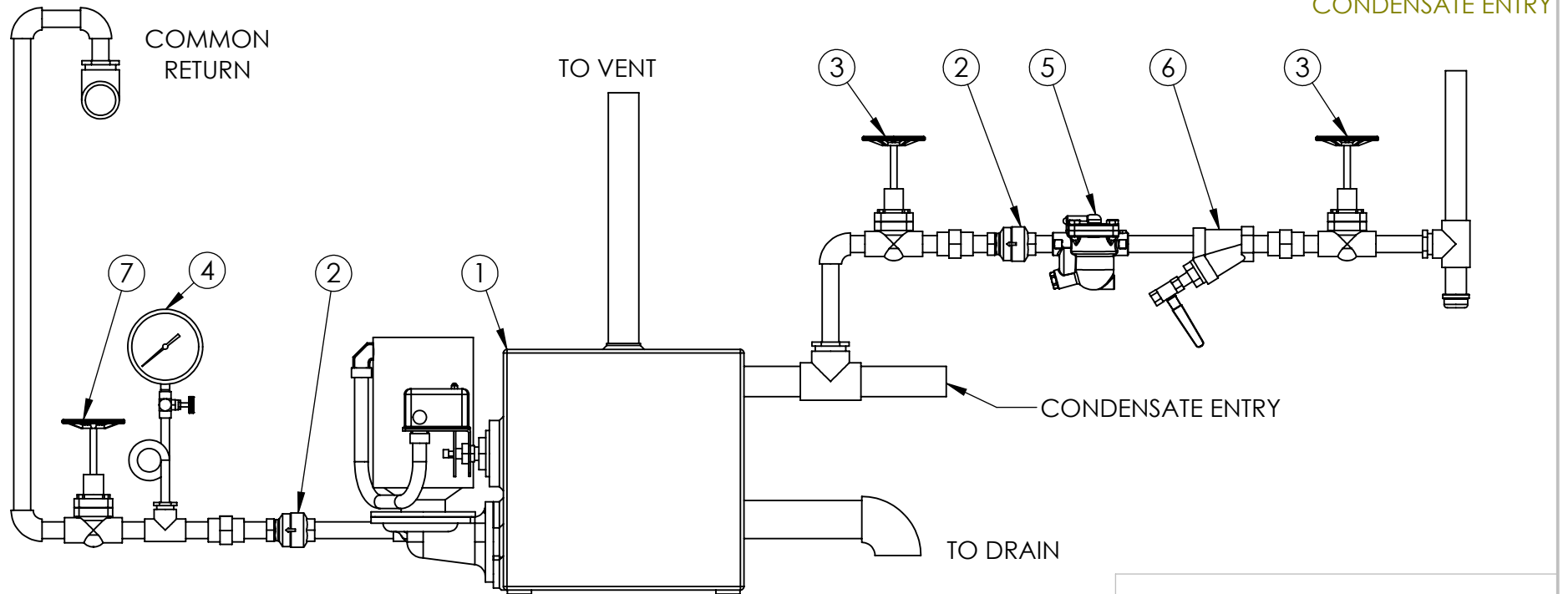


ITEM #	DESCRIPTION
1	CONDENSATE TRANSFER PUMP (4128G)
2	CHECK VALVE
3	GATE VALVE
4	MANOMETRE W SYPHON
5	STEAM TRAP
6	Y STRAINER W PURGE
7	GLOBE VALVE



PROPRIETARY AND CONFIDENTIAL THE INFORMATION CONTAINED IN THIS DRAWING IS THE SOLE PROPERTY OF VAPTEC INC. ANY REPRODUCTION IN PART OR AS A WHOLE WITHOUT THE WRITTEN PERMISSION OF VAPTEC INC IS STRICTLY PROHIBITED.	COMMENTS:	UNLESS OTHERWISE SPECIFIED: DIMENSIONS ARE IN INCHES TOLERANCES: FRACTIONAL ± ANGULAR: MACH ± BEND ± TWO PLACE DECIMAL ± THREE PLACE DECIMAL ±	NAME	DATE	TITLE: VAD-08 Condensate Transfer Unit 4128G	REV	
			CREATED	Dominic Casar			2020-03-19
			LAST MOD.	Dominic Casar			2021-11-03
			ENG APPR.				
			MFG APPR.				
Q.A.			SCALE: 1:10	SHEET 1 OF 1			