



TYPE E6 MAIN VALVE

APPLICATION DATA

- Pressure Regulating for Compressed Air Distribution
- Pressure Regulating for Gas Service
- Maintain Back Pressure or Differential Pressure
- For use with Self-contained, Pneumatic or Electronic Pilots
- Single Point or Multiple Use Applications
- Slow Start-up or Shutdown

VALVE RATINGS

Valve Ends ASME/ANSI	Pressure PSIG (bar)	Temperature °F (°C)
-------------------------	------------------------	------------------------

CAST IRON

B16.4 Class 250 NPT	250 (17.2)	@ 200 (93)
B16.1 Class 125 Flanged	125 (8.6)	@ 200 (93)

Other pressure/temperature ratings available; consult factory.

Canadian Registration # OC 0591.9C

Installation Tip: Add EZ Connections for ease of maintenance

SIZING INFO

TYPE E6 MAIN VALVE

HIGH PRESSURE-HIGH LIFT COLD SERVICE

SIZES 3/4" - 12"

PRESSURES to 250 PSIG at 200°F

- Normally Closed
- Single Seat
- Balanced Hycar Diaphragm
- Protected Main Spring
- Composition Disc for Tight Shutoff
- Air & Gas Applications
- Accurate Regulation Unaffected by Service Conditions
- ANSI/FCI 70-2 Class VI Shutoff
- Virtually Frictionless for Long Service Life
- Packless Construction
- Easy In-line Maintenance
- Wide Variety of Pilots for Many Applications

OPTIONS

- Dashpot for Water Service
- Integral Mount Pilot
- Insulcap Insulating Jacket
- Balanced Construction
- EZ Connections

TYPICAL CONFIGURATIONS

- PRESSURE REDUCINGTYPE E6**D**
- AIR ADJUSTEDTYPE E6**A**
- BACK PRESSURETYPE E6**Q**
- PUMP GOVERNORTYPE E6**P**
- LOAD ALLOCATINGTYPE E6**FD**
- AIR CONTROLLEDTYPE E6**AP60**
- ELECTRONIC SLOW STARTTYPE E6**D208D**
- SOLENOID CONTROLLEDTYPE E6**MD**
- SOLENOID ACTUATEDTYPE E6**M**
- DIFFERENTIALTYPE E6**N**
- TEMPERATURE CONTROLTYPE E6**T**

RATED FLOW COEFFICIENTS (Cv)

SEAT FACTOR	REGULATOR SIZE													
	3/4	1	1 1/4	1 1/2	2	2 1/2	3	4	5	6	8	10	12	
Full	7.6	11.7	18.9	27.4	43	67	95	159	258	350	665	1018	1611	
Normal	5.7	10.0	13.4	19.8	25	35	59	120	176	228	366	525	952	

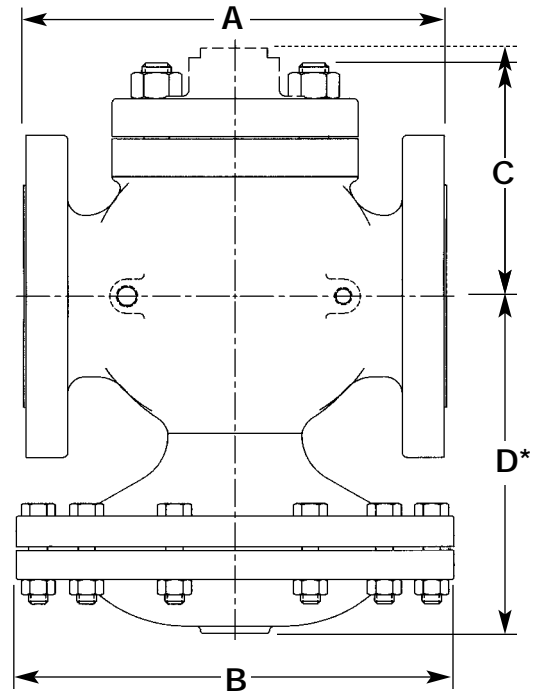
TYPE E6 MAIN VALVE

SPECIFICATION

The valve shall be self-operated, external pilot type, single seated, composition disc, hycar diaphragm actuated, normally closed design. The valve will function quickly and shut tight on dead end service. Seats and stems shall be of stainless steel. There shall be no springs in the flow space and no stuffing box. The valve shall be easy to maintain with all parts accessible without removal from the line.

MATERIALS OF CONSTRUCTION

Body, Cast IronASTM A126 Cl. B
 Body, Cast BronzeASTM B61 UNS C92200
 Stem303 St. Stl. ASTM A582
 DiscHycar Comp.
 Seat 3/4 - 5"420 St. Stl. ASTM 473 CA-40
 Seat 6 - 8"316 St. Stl. ASTM A743 CF-8M
 GasketNon-asbestos
 DiaphragmHycar
 SpringSteel
 Disc HolderASTM B16 UNS C36000



TYPE E6 MAIN VALVE

FITTINGS

DIMENSIONS inches (mm) AND WEIGHTS pounds (kg)

SIZE	DIMENSIONS							APPROX. WT.		
	A			B	C		D*	ANSI NPT	ANSI 125	ANSI 250
	ANSI NPT	ANSI 125	ANSI 250		Std. Mount	Integral Mount				
3/4 (19)	4 3/4 (111)	—	—	6 7/8 (175)	2 7/8 (73)	3 5/8 (92)	6 3/8 (162)	18 (8)	—	—
1 (25)	5 3/8 (137)	5 1/2 (140)	6 (152)	6 7/8 (175)	3 5/8 (92)	4 3/8 (111)	6 5/8 (168)	18 (8)	27 (129)	30 (14)
1 1/4 (32)	6 1/2 (165)	6 3/4 (171)	7 1/4 (184)	9 1/8 (232)	4 1/8 (105)	4 (102)	7 3/4 (197)	37 (17)	39 (18)	44 (20)
1 1/2 (38)	7 1/4 (184)	6 7/8 (175)	7 3/8 (187)	9 1/8 (232)	4 3/8 (111)	4 1/2 (114)	7 7/8 (200)	42 (19)	50 (23)	56 (25)
2 (51)	7 1/2 (191)	8 1/2 (216)	9 (229)	11 1/8 (283)	5 1/4 (133)	5 (127)	8 5/8 (219)	66 (30)	73 (33)	81 (37)
2 1/2 (64)	—	9 3/8 (238)	10 (254)	11 1/8 (283)	5 3/4 (146)	5 3/8 (137)	9 (229)	—	83 (38)	95 (43)
3 (76)	—	10 (254)	10 3/4 (273)	13 1/2 (343)	6 5/8 (168)	6 3/8 (162)	9 7/8 (251)	—	124 (56)	146 (66)
4 (102)	—	11 7/8 (302)	12 1/2 (318)	13 1/2 (343)	7 5/8 (194)	6 5/8 (168)	12 3/4 (324)	—	206 (94)	234 (106)
5 (127)	—	13 3/8 (346)	14 1/2 (368)	13 1/2 (343)	8 1/2 (216)	7 3/8 (187)	13 1/4 (337)	—	275 (125)	287 (130)
6 (152)	—	15 1/8 (384)	16 (406)	16 3/4 (425)	10 (254)	7 (178)	15 1/2 (394)	—	363 (165)	431 (196)
8 (203)	—	19 (483)	20 (508)	16 3/4 (425)	11 1/2 (292)	9 1/4 (235)	17 5/8 (448)	—	508 (231)	610 (277)

*Add 100% to D dimension for stem removal clearance.