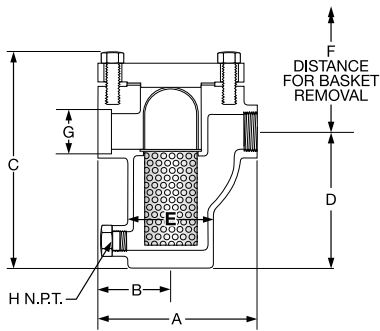


300B STYLE 2 STEEL & STAINLESS STEEL SERIES THREADED BASKET STRAINERS

Pressures To 740 PSIG (51 barg)
Temperatures to 800°F (427°C)



Connections: 1/2"– 2" NPT

- Over-the-top flow design complete with a machined basket seat eliminates any chance of dirty fluid by-pass
- All sizes come complete with a bolted cover flange
- Recommended for straining down to 40 microns
- Generous screen area and properly proportioned outer annulus minimize pressure drop while maximizing time between cleanings
- Drain connection furnished with plug
- May be installed in horizontal pipelines

RATINGS

Ends ASME/ANSI	Pressure PSIG (barg)	Temperature °F (°C)
WSP (Carbon Steel) B1.20.1 Class 300 NPT	300 (20.7)	@ 838 (448)
WSP (Stainless Steel) B1.20.1 Class 300 NPT	300 (20.7)	@ 1125 (607)
WOG (Carbon Steel) B1.20.1 Class 300 NPT	740 (51)	@ 100 (38)
WOG (Stainless Steel) B1.20.1 Class 300 NPT	720 (49.6)	@ 100 (38)

OPTIONS

- Socketweld
- Rotating Cover
- C Clamp Cover†
- Swing Yoke†
- Other perforated screens and mesh liners

SCREEN OPENINGS

SIZE	STANDARD SCREEN	MATERIALS
1/2" – 1 1/2"	20 mesh	304 SS
2"	3/64 Perf.	304 SS

ORDERING CODE

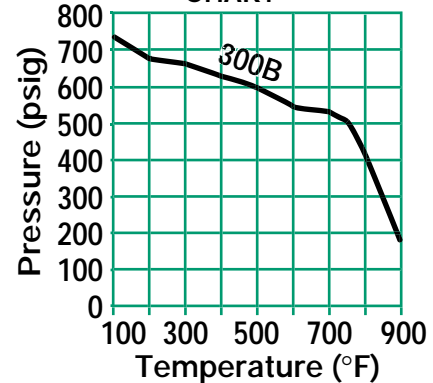
SIZING INFO

DIMENSIONS inches (mm) AND WEIGHTS pounds (kg)

SIZE	A	B	C*	D	E	F	G	H	WEIGHT	
									Cover	Unit
1/2 (15)	6 1/8 (156)	3 1/16 (78)	7 1/16 (179)	4 (102)	2 3/8 (67)	5 3/4 (146)	0.855 (21.72)	1/2 (10)	6 (2.7)	18 (8.2)
3/4 (20)	6 3/4 (171)	3 1/4 (83)	8 3/8 (213)	5 (127)	3 (76)	7 1/16 (189)	1.065 (27.05)	1/2 (10)	8 (3.6)	24 (10.9)
1 (25)	6 3/4 (171)	3 3/4 (83)	8 3/8 (213)	5 (127)	3 (76)	7 1/16 (189)	1.330 (33.78)	1/2 (15)	8 (3.6)	24 (10.9)
1 1/4 (32)	8 1/8 (206)	3 3/4 (95)	11 7/8 (302)	7 3/4 (197)	4 1/16 (103)	11 1/16 (281)	1.675 (42.55)	3/4 (20)	12 (5.4)	43 (19.5)
1 1/2 (40)	8 1/8 (206)	3 3/4 (95)	11 7/8 (302)	7 3/4 (197)	4 1/16 (103)	11 1/16 (281)	1.915 (48.64)	3/4 (20)	12 (5.4)	43 (19.5)
2 (50)	9 (229)	4 1/2 (105)	13 3/8 (314)	7 3/4 (197)	4 3/8 (124)	11 1/16 (297)	2.406 (61.11)	1 (25)	16 (7.3)	58 (26.3)

*For models with quick opening cover, consult factory.

PRESSURE/TEMPERATURE CHART



†Reduces ratings, consult factory.