



DRIP PAN ELBOW

SIZES 3/4" – 8"

PRESSURES to 250 PSIG at 406°F

- Collects Discharge Condensate from Steam Systems
- Returns Condensate to Safe Areas
- Increases Life of Safety Valves
- Reduces Discharge Piping Strain
- Female NPT or Flange Connections
- Compatible with All Spence ASME Safety Valves
- Helps Prevent Injury & Property Damage

MODELS

- DPE - Drip Pan Elbow, Cast Iron

APPLICATION DATA

- Steam Boilers
- Steam Pressure Reducing Stations
- Steam Pressure Vessels & Lines

VALVE RATINGS

Model	Pressure PSIG (bar)	Temperature °F (°C)
All	250 (17.2)	406 (208)

ORDERING CODE

MODEL NUMBER (Must be 3 Digits)	—	SIZE
example: DPE	—	H
DPE - Drip Pan Elbow, Cast Iron		D - 3/4 E - 1 F - 1 1/4 G - 1 1/2 H - 2 J - 2 1/2 K - 3 M - 4 P - 6 Q - 8

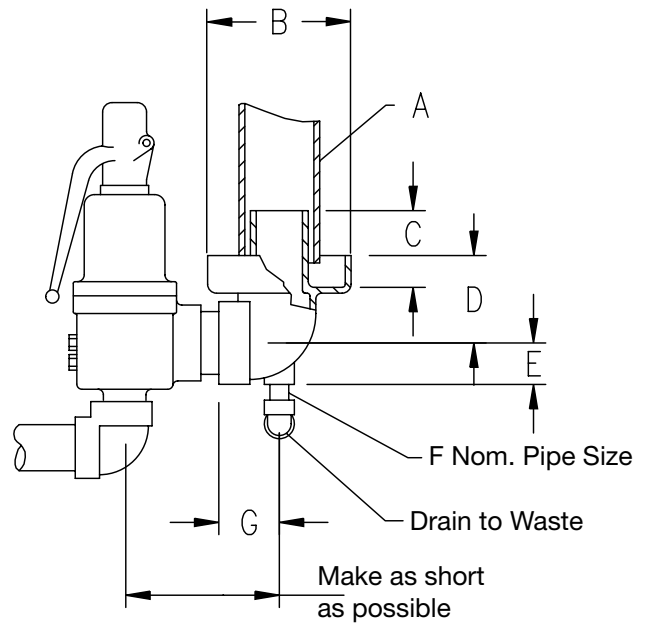
DRIP PAN ELBOW

SPECIFICATION

The Drip Pan Elbow shall be a minimum of the size of the safety valve discharge and installed on the discharge side of the safety valve. It shall be made of cast iron and conform to the Power Piping Code. It shall have a pan to collect condensate in the steam riser pipe and a drain to pipe away the condensate.

MATERIALS OF CONSTRUCTION

BodyCast Iron



DIMENSIONS* inches (mm) **AND WEIGHTS** pounds (kg)

Model	Outlet	A	B	C	D	E	F	G	Weight
DPE-D	¾	2 (51)	3¼ (95)	2¼ (70)	2 (51)	1 (25)	¾ (10)	1½ (38)	2 (.9)
DPE-E	1	2 (51)	3¼ (95)	2¼ (70)	2 (51)	1 (25)	¾ (10)	1½ (38)	2 (.9)
DPE-F	1¼	2.5 (65)	5½ (140)	4 ¹⁵ / ₁₆ (125)	4¼ (105)	1 ¹ / ₁₆ (37)	¾ (10)	2½ (54)	4 (1.8)
DPE-G	1½	2.5 (65)	5½ (140)	4 ¹⁵ / ₁₆ (125)	4¼ (105)	1 ¹ / ₁₆ (37)	¾ (10)	2½ (54)	4 (1.8)
DPE-H	2	3 (76)	6¼ (159)	4¾ (117)	3¾ (92)	1¾ (41)	½ (13)	2¼ (57)	6 (2.7)
DPE-J	2½	4 (102)	7¾ (187)	5 ⁵ / ₁₆ (141)	4 ⁵ / ₁₆ (110)	1 ¹⁵ / ₁₆ (49)	¾ (19)	2 ¹¹ / ₁₆ (68)	11 (5.0)
DPE-K	3	4 (102)	8 (203)	6½ (165)	4 ⁷ / ₈ (124)	2 ⁵ / ₁₆ (59)	¾ (19)	3½ (79)	14 (6.4)
DPE-M	4	6 (152)	9¾ (244)	8¼ (210)	5¼ (146)	2¾ (73)	¾ (19)	3¾ (95)	26 (11.8)
DPE-P*	6	8 (203)	12¾ (324)	11 ¹⁵ / ₁₆ (294)	7 ⁵ / ₁₆ (192)	4 ⁵ / ₁₆ (106)	¾ (19)	8 (203)	74 (33.6)
DPE-Q*	8	10 (254)	16½ (419)	14¾ (378)	9 ⁵ / ₁₆ (243)	5¼ (146)	1 (25)	10¾ (273)	100 (45.4)

*6" and 8" Drip Pan Elbows have integral 125# flange.